

Delta combi sneplov



DELTA



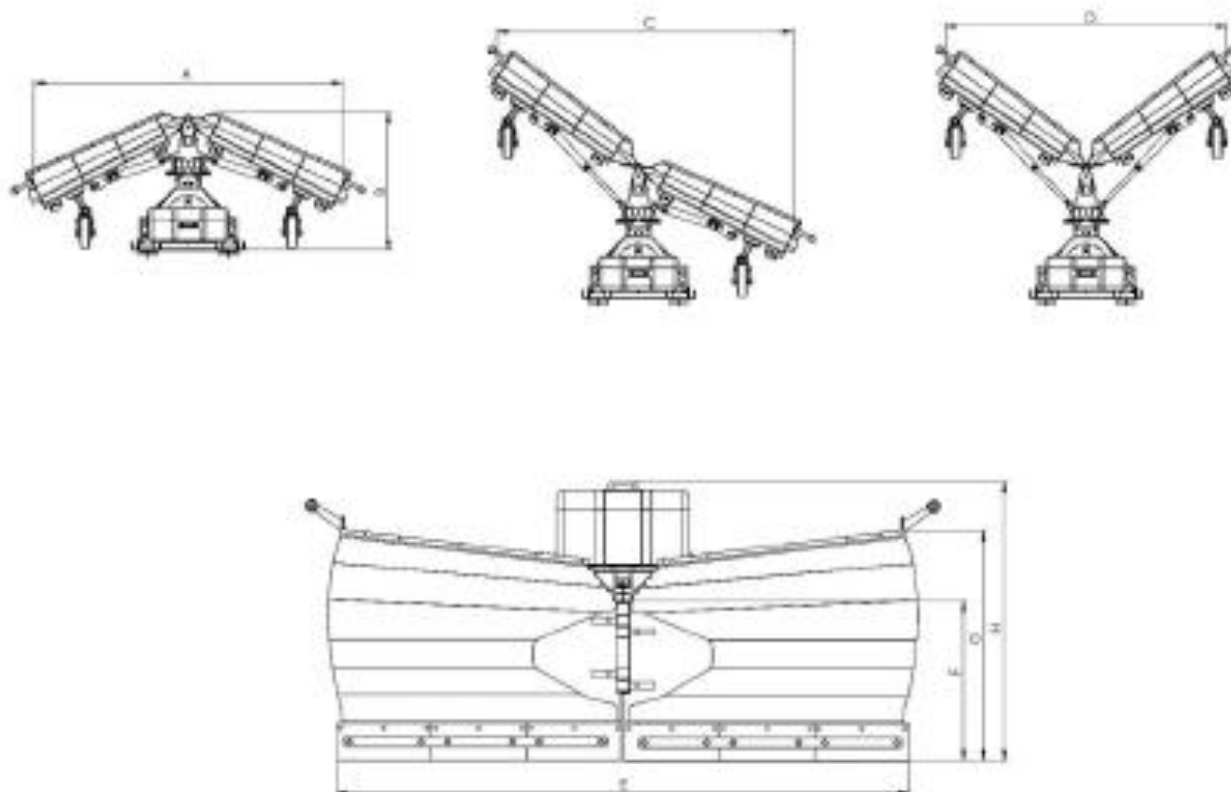
V-blade

Standard equipment:
 Rubber cutting edges
 Bottom-trip
 LED side lamps
 Floating system

Delta shown with optional equipment

Attention: 2 DA hydraulic outlets required.

Model	Total width E [mm]	Bow clearance width A [mm]	Straight clearance width C [mm]	Shovel clearance width D [mm]	Height H [mm]	Weight ¹ [kg]
DELTA 27	2709	2440	2335	2230	924+1066	450
DELTA 32	3200	2870	2760	2650	924+1066	490



Standard



Bottom trip with spring system



Rubber cutting edge



Side lamps 12V



Hoses with quick couplings