

Traktorplov OZ – TR

OZ- TR



2-segment metal blade

Standard equipment:

Steel wear resistant cutting edges

LED side lamps

3P hitch, cat. 2/3

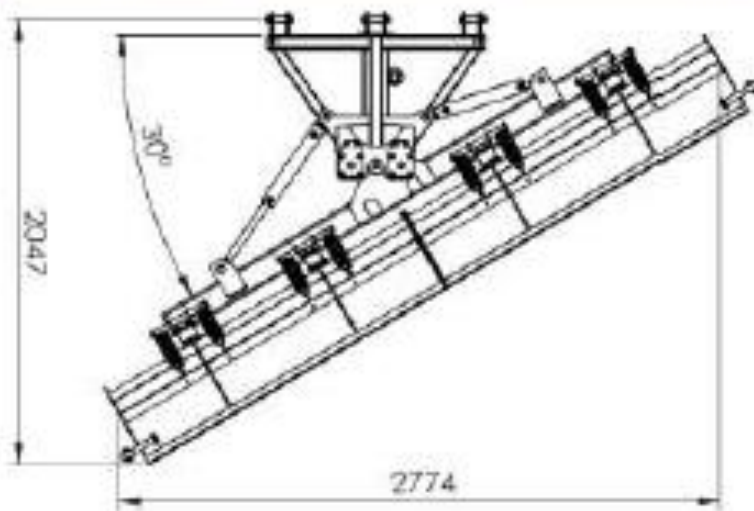
Full-trip

Central swinging $\pm 7^\circ$

Angling with 2 hydraulic pistons

Attention: DA hydraulic outlets required.

Model	Width [mm]	Clearance width L [mm]	Height H [mm]	Weight [kg]
OZ-TR32	3200	2771	1000	550



Standard



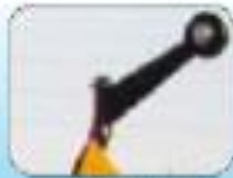
Hydraulic hoses with quick couplings



Segment full-trip with spring system



3P hitch mount



Side lamps
12V



Steel cutting edges